

Contain-IT Door Quotation Worksheet

Fill in all information below including dimensions on the drawings below. Provide all dimensions in inches. Note locations of any obstructions over the cabinets including lights, ladder rack, etc.

Each unique aisle must be documented.

Fax or e-mail completed form to customer service at 714-776-9683 or info@electrorack.com.

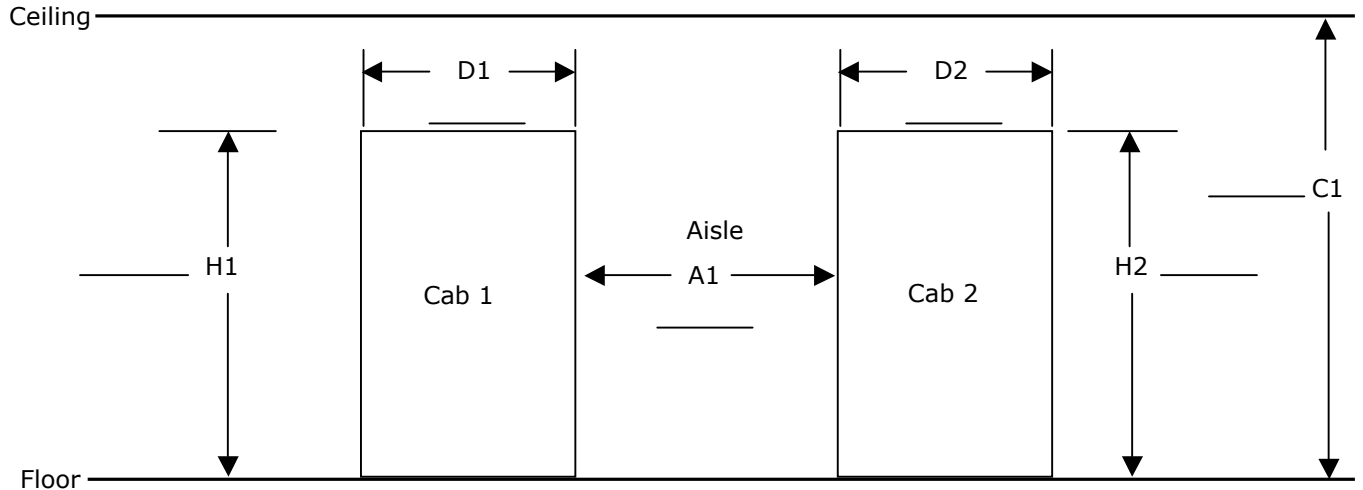
Company Name: _____

Aisle Ref #: _____

Contact Name: _____

Contact Phone: _____

Contact E-mail: _____



Aisle Type: (Circle one)

Hot Cold

Draw & locate mounting holes on top of racks for door brackets to attach. Indicate hole size and dimension from front and end of row side.

Desired Products: Sliding Doors

Over Cabinet Panels

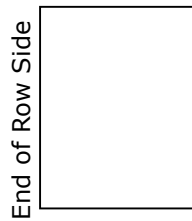
Over Cabinet Panel Height: _____

Cab 1 Manufacturer: _____

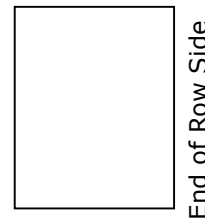
Cab 1 Model #: _____

Cab 2 Manufacturer: _____

Cab 2 Model #: _____



Cab 1 Front



Cab 2 Front

Note: Cabinets must be located directly across from each other. Sides parallel and in same plane.

