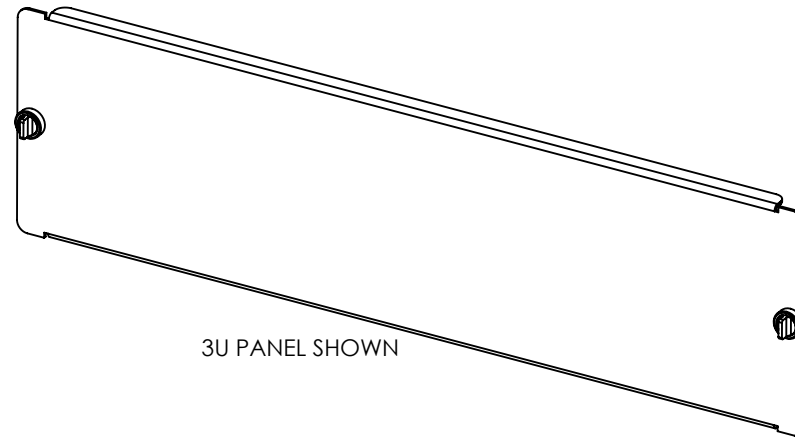
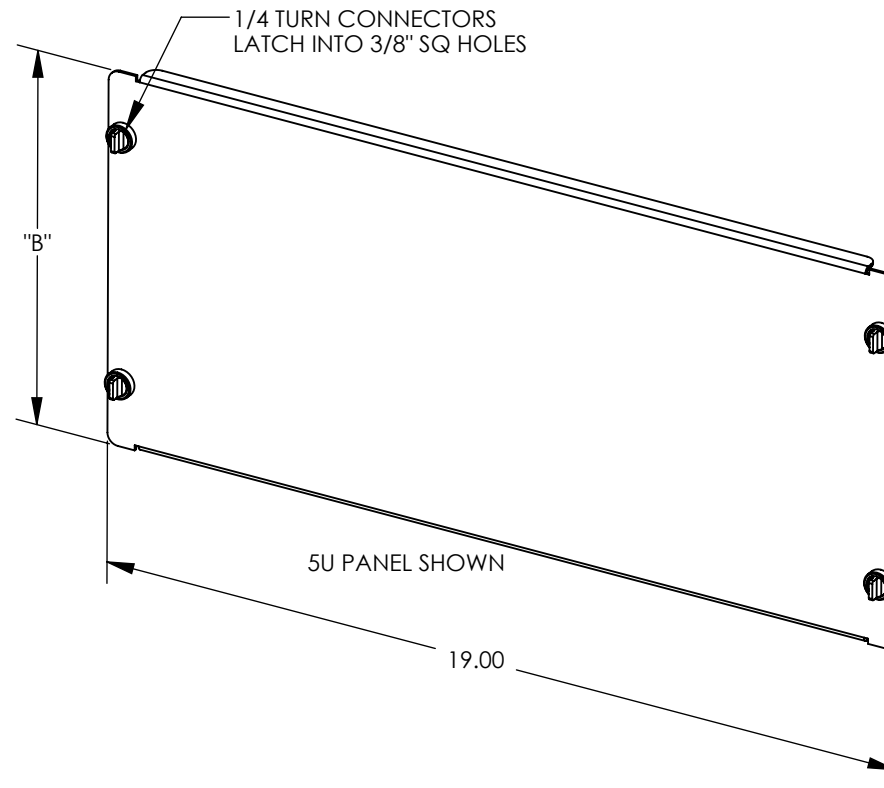


	HEIGHT	"B"	# CONNECTORS
PSFT-1-X	1U	1.72	2
PSFT-2-X	2U	3.47	2
PSFT-3-X	3U	5.22	2
PSFT-4-X	4U	6.97	2
PSFT-5-X	5U	8.72	4
PSFT-6-X	6U	10.47	4
PSFT-7-X	7U	12.22	4
PSFT-8-X	8U	13.97	4



3U PANEL SHOWN



5U PANEL SHOWN

19.00