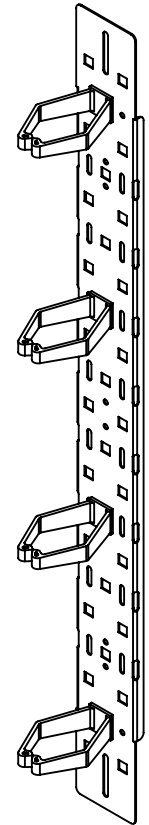
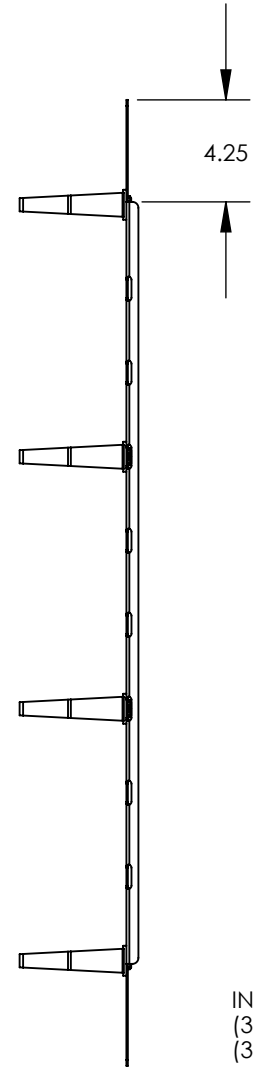
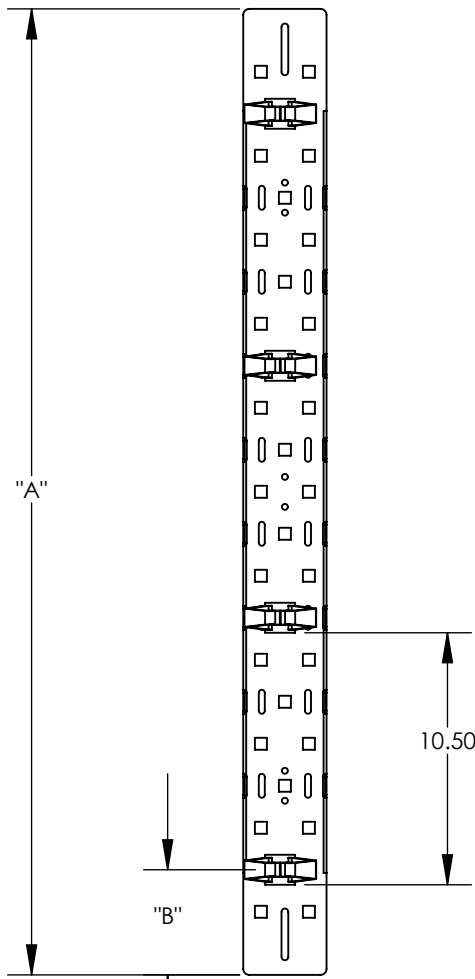
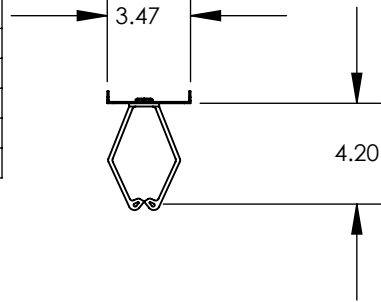


LHBV3-XX-RR-2	RU	"A"	"B"
LHBV3-40-RR-2	40	35.88"	5.57"
LHBV3-42-RR-2	42	37.63"	4.82"
LHBV3-45-RR-2	45	40.25"	4.38"
LHBV3-47-RR-2	47	42.00"	5.25"
LHBV3-48-RR-2	48	42.68"	5.69"
LHBV3-50-RR-2	50	44.63"	4.82"

DWG. NO.
S-LHBV3-XX-RR-2



INCLUDE HARDWARE:
 (3) 1/4-20 X 3/4 SERRATED WASHER HEAD BOLT
 (3) 1/4-20 UNISTRUT NUTS



PROPRIETARY AND CONFIDENTIAL
 This drawing embodies a confidential proprietary design owned by Electrorack Products Company and all design, manufacturing, reproduction, use and sales rights regarding this drawing are reserved to Electrorack Products Company. The recipient of this drawing assumes custody thereof and agrees that the information contained herein shall not be used, duplicated or disclosed to reproduce articles or subject matter therein without written permission of Electrorack Products Company.

TITLE:
**VERTICAL LACING BAR
 1/2 HEIGHT W/ RINGS**

FINISH	REV DATE
MATERIAL	02/19/08
16 GA STEEL	SHEET 1 OF 1

REV DATE
02/19/08
SHEET 1 OF 1