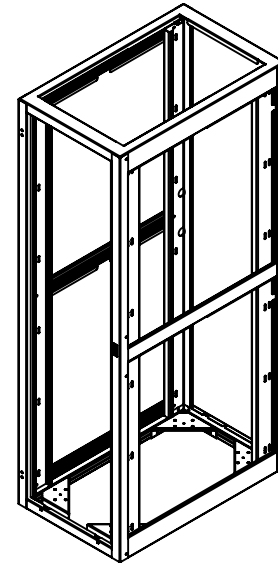
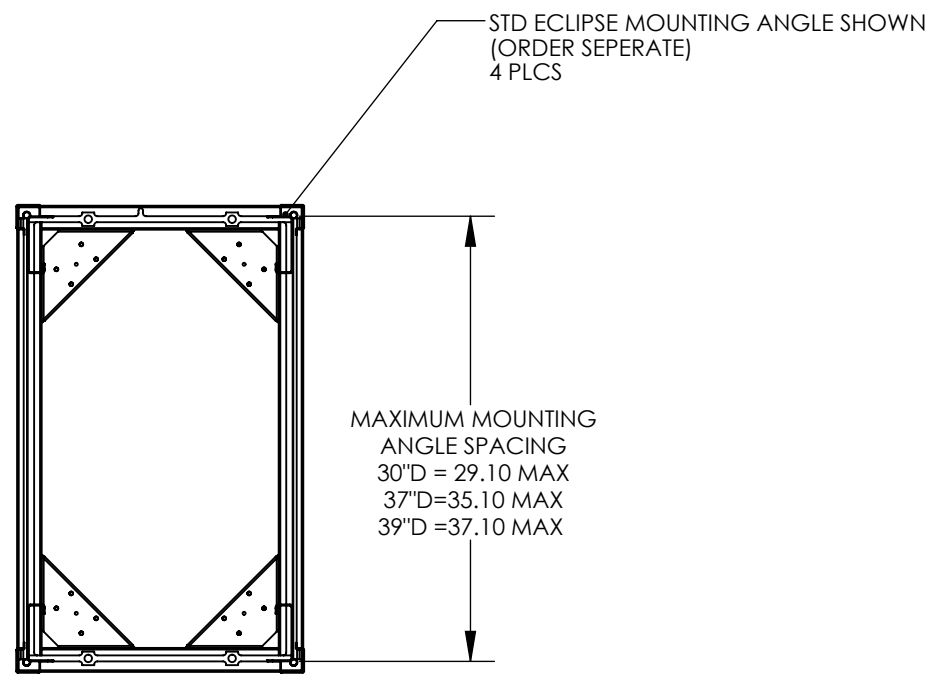
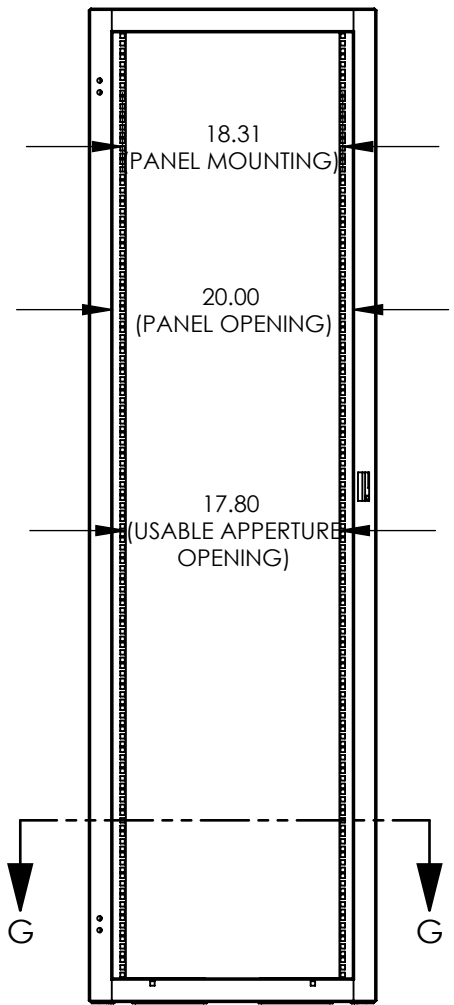


RACK UNITS	VERTICAL PANEL OPENING (A)	OVERALL HEIGHT (B)
24	42.06	46.16
42	73.56	77.66
45	78.81	82.91
47	82.31	86.41

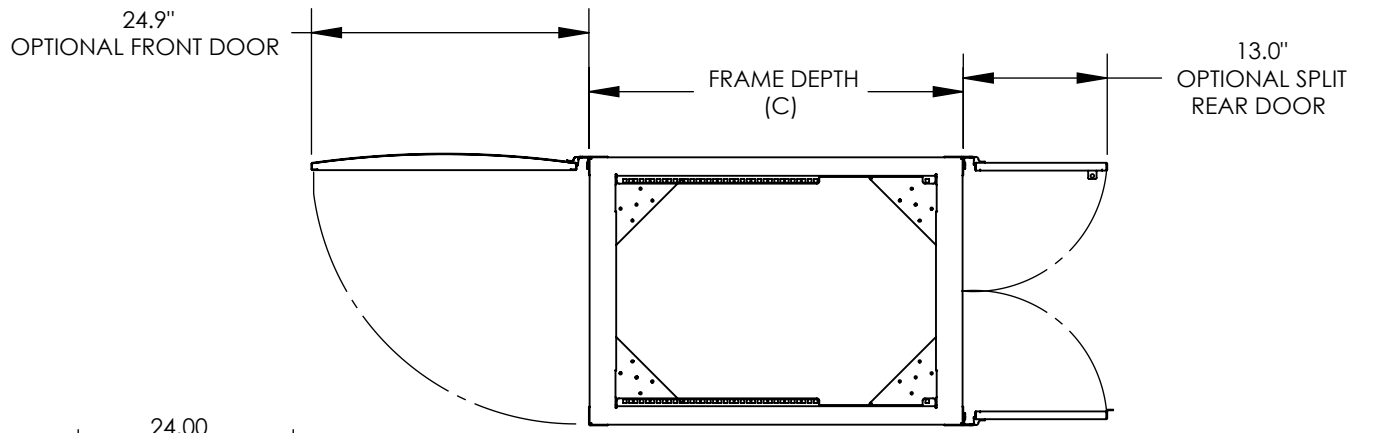
FRAME DEPTH (C)	BOLT HOLE PATTERN (D)	TOP PANEL OPENING (E)
30.00	27.60	26.31
37.00	34.60	33.31
39.00	36.60	33.31



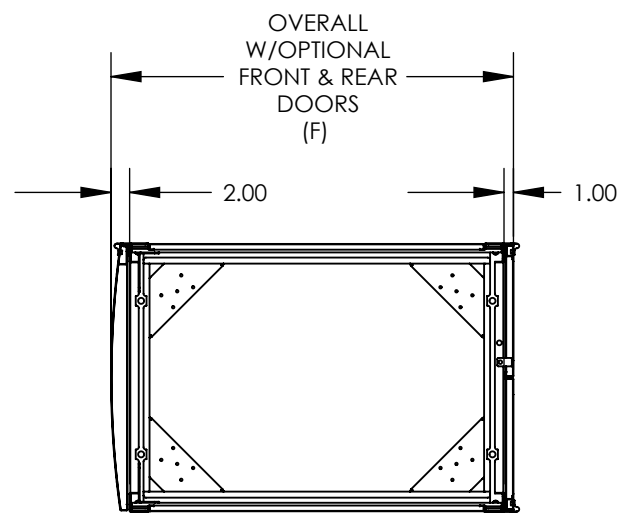
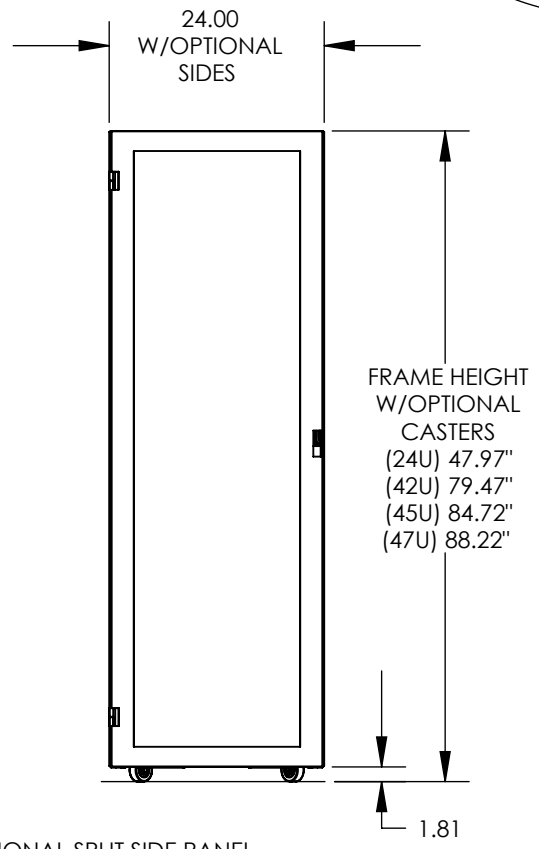
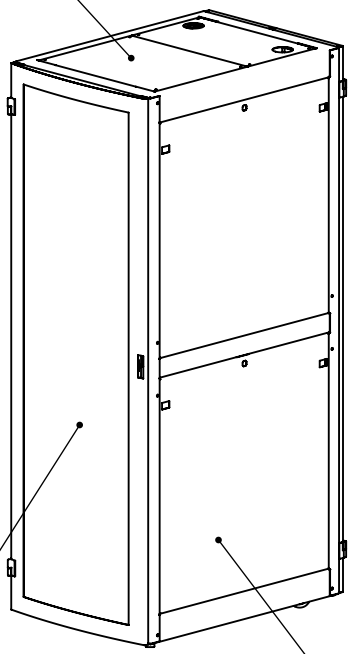


SECTION G-G
 SCALE 1 : 16

FRAME DEPTH (C)	OVERALL W/OPTIONAL DOORS (FRONT & REAR) (F)
30.00	33.00
37.00	40.00
39.00	42.00



OPTIONAL MESH TOP PANEL SET



SECTION A-A
SCALE 1 : 20

OPTIONAL FRONT DOOR OPTIONAL SPLIT SIDE PANEL



PROPRIETARY AND CONFIDENTIAL
This drawing embodies a confidential proprietary design owned by Electrorack Products Company and all design, manufacturing, reproduction, use and sales rights regarding this drawing are reserved to Electrorack Products Company. The recipient of this drawing assumes custody thereof and agrees that the information contained herein shall not be used, duplicated or disclosed to reproduce articles or subject matter therein without written permission of Electrorack Products Company.

TITLE:
ECLIPSE FRAME, 24" WIDE

FINISH
POWDERCOAT

MATERIAL
14GA STEEL

REV DATE
07/30/07

SHEET 3 OF 3