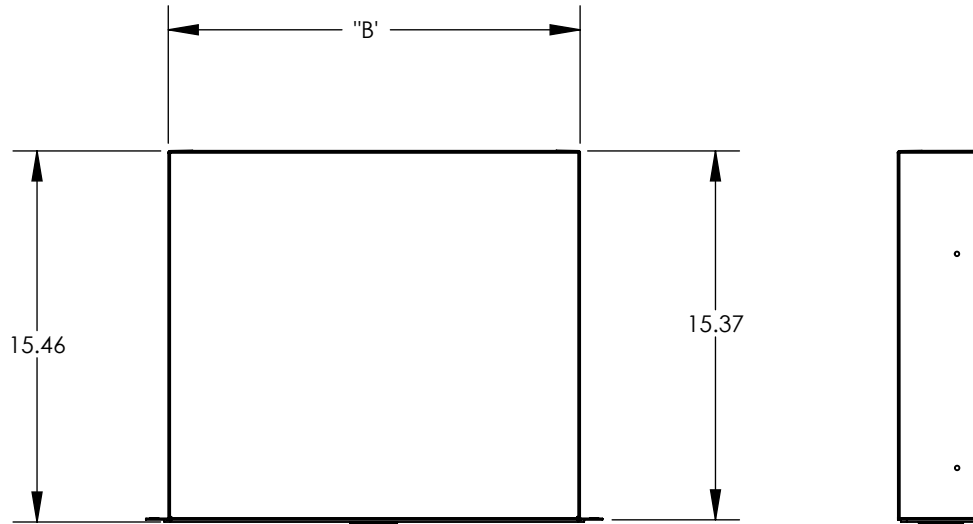


UDX	"A"	"B"	"C"
UD2-1915-X	3.47"	17.61"	18.31"
UD4-1915-X	6.97"	17.61"	18.31"
UD2-2315-X	3.47"	22.61"	23.31"
UD4-2315-X	6.97"	22.61"	23.31"

DWG. NO.
S-UDX



INSTALLATION HARDWARE:
(8) 10-32 x 5/8" TRUSS HEAD SCREWS

