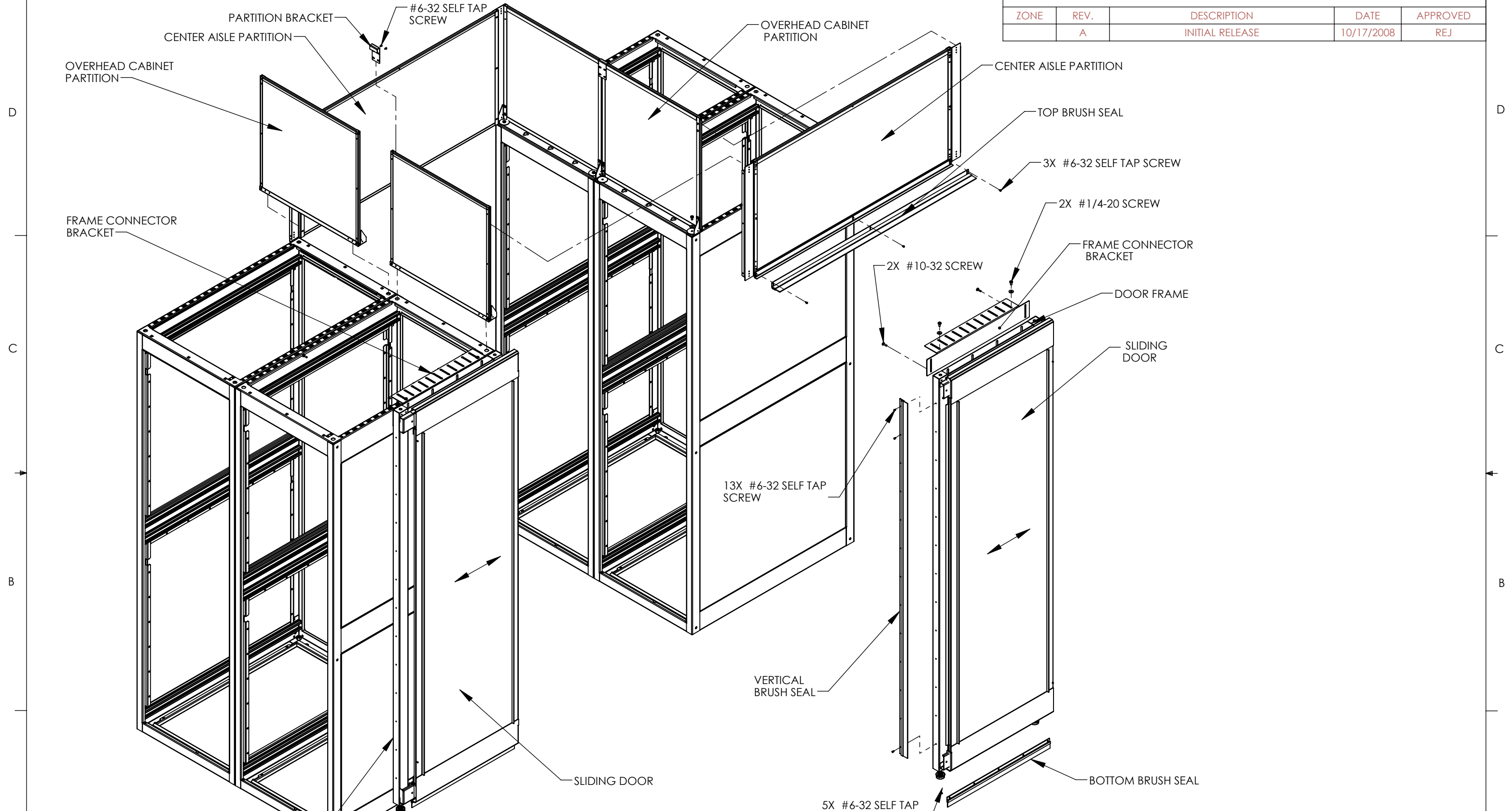


8 7 6 5 4 3 2 1

ZONE	REV.	DESCRIPTION	DATE	APPROVED
	A	INITIAL RELEASE	10/17/2008	REJ



PROPRIETARY AND CONFIDENTIAL
 THIS DRAWING EMBODIES A CONFIDENTIAL PROPRIETARY DESIGN OWNED BY ELECTORACK PRODUCTS COMPANY AND ALL DESIGN, MANUFACTURING, REPRODUCTION, USE AND SALES RIGHTS REGARDING THIS DRAWING ARE RESERVED TO ELECTORACK PRODUCTS COMPANY. THE RECIPIENT OF THIS DRAWING ASSUMES CUSTODY THEREOF AND AGREES THAT THE INFORMATION CONTAINED HEREIN SHALL NOT BE USED, DUPLICATED OR DISCLOSED TO REPRODUCE ARTICLES OR SUBJECT MATTER THEREIN WITHOUT WRITTEN PERMISSION OF ELECTORACK PRODUCTS COMPANY.

MATERIAL	UNLESS OTHERWISE SPECIFIED: DIMENSIONS ARE IN INCHES TOLERANCES: X ± 0.1 XX ± 0.03 XXX ± 0.010 ANGLES ± 1/2 DEG BEND RAD = 0.06	
FINISH	DRAWN BY: REJ	DATE: 06/12/09

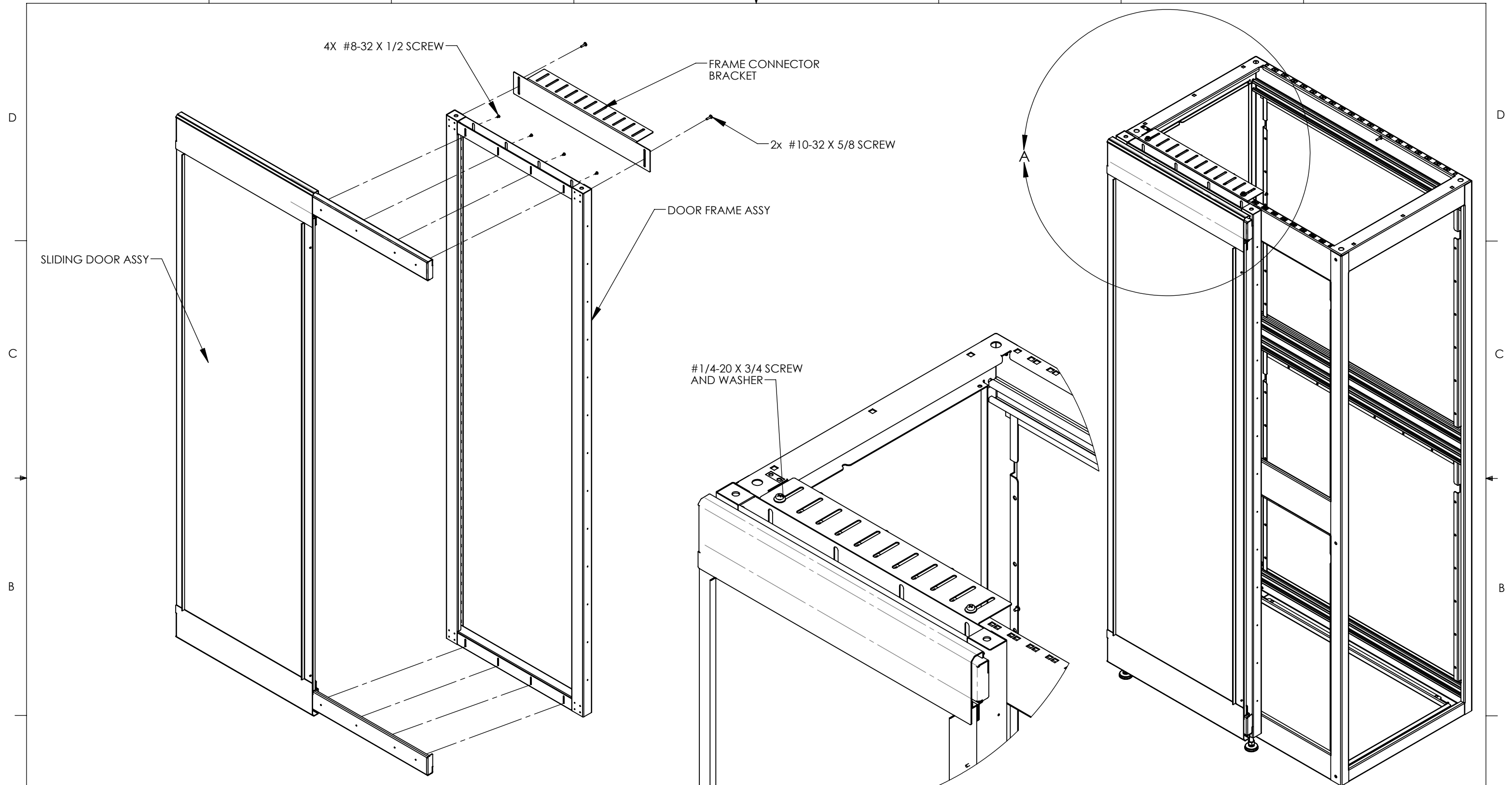
electrorack
ENCLOSURE PRODUCTS

**SLIDING DOOR/PARTITION
HOT/COLD AISLE**

SIZE B	CAGE CODE 26073	DWG. NO. 127749-100	REV A
WEIGHT:		SHEET 1 OF 3	

8 7 6 5 4 3 2 1

8 7 6 5 4 3 2 1



4X #8-32 X 1/2 SCREW
 FRAME CONNECTOR BRACKET
 2x #10-32 X 5/8 SCREW
 DOOR FRAME ASSY

SLIDING DOOR ASSY

#1/4-20 X 3/4 SCREW AND WASHER

NOTE: SLIDING DOOR SHIPS PRE-ASSEMBLED TO THE DOOR FRAME.

DETAIL A
 SCALE 1 : 6

PROPRIETARY AND CONFIDENTIAL
 THIS DRAWING EMBODIES A CONFIDENTIAL PROPRIETARY DESIGN OWNED BY ELECTORACK PRODUCTS COMPANY AND ALL DESIGN, MANUFACTURING, REPRODUCTION, USE AND SALES RIGHTS REGARDING THIS DRAWING ARE RESERVED TO ELECTORACK PRODUCTS COMPANY. THE RECIPIENT OF THIS DRAWING ASSUMES CUSTODY THEREOF AND AGREES THAT THE INFORMATION CONTAINED HEREIN SHALL NOT BE USED, DUPLICATED OR DISCLOSED TO REPRODUCE ARTICLES OR SUBJECT MATTER THEREIN WITHOUT WRITTEN PERMISSION OF ELECTORACK PRODUCTS COMPANY.

MATERIAL ---	UNLESS OTHERWISE SPECIFIED: DIMENSIONS ARE IN INCHES TOLERANCES: X ± 0.1 XX ± 0.03 XXX ± 0.010 ANGLES ± 1/2 DEG BEND RAD = 0.06	
FINISH BLACK	DRAWN BY: REJ	DATE: 04/03/09

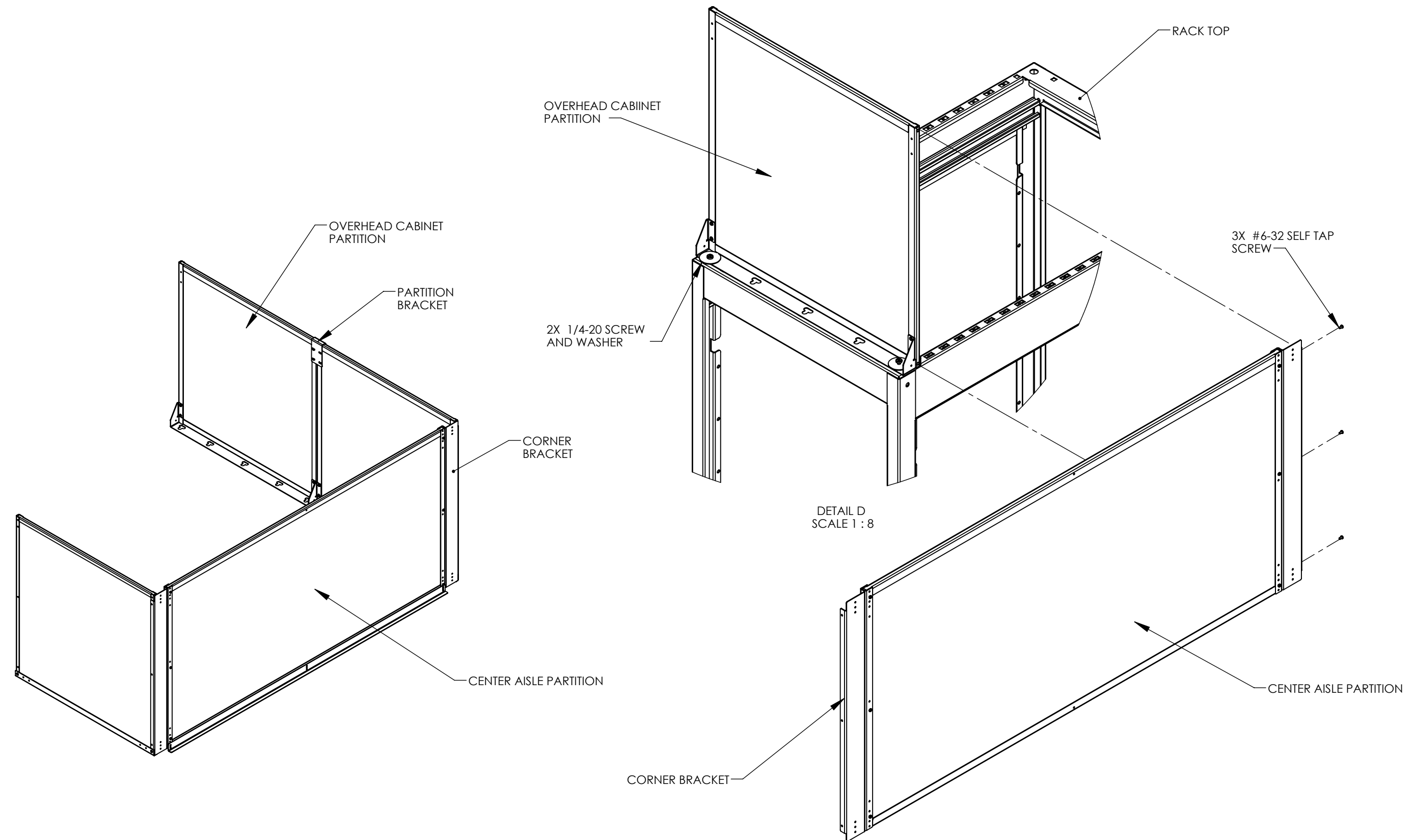
SLIDING DOOR/PARTITION DOOR AND FRAME ASSY			
SIZE B	CAGE CODE 26073	DWG. NO. 127749-100	REV A
WEIGHT:			SHEET 2 OF 3

8 7 6 5 4 3 2 1

8 7 6 5 4 3 2 1

D
C
B
A

D
C
B
A



PROPRIETARY AND CONFIDENTIAL
 THIS DRAWING EMBODIES A CONFIDENTIAL PROPRIETARY DESIGN OWNED BY ELECTORACK PRODUCTS COMPANY AND ALL DESIGN, MANUFACTURING, REPRODUCTION, USE AND SALES RIGHTS REGARDING THIS DRAWING ARE RESERVED TO ELECTORACK PRODUCTS COMPANY. THE RECIPIENT OF THIS DRAWING ASSUMES CUSTODY THEREOF AND AGREES THAT THE INFORMATION CONTAINED HEREIN SHALL NOT BE USED, DUPLICATED OR DISCLOSED TO REPRODUCE ARTICLES OR SUBJECT MATTER THEREIN WITHOUT WRITTEN PERMISSION OF ELECTORACK PRODUCTS COMPANY.

MATERIAL	UNLESS OTHERWISE SPECIFIED: DIMENSIONS ARE IN INCHES TOLERANCES: X ± 0.1 XX ± 0.03 XXX ± 0.010 ANGLES ± 1/2 DEG BEND RAD = 0.06	
FINISH	DRAWN BY: REJ	DATE: 05/09/09

electronack
ENCLOSURE PRODUCTS

**SLIDING DOOR/PARTITION
OVERHEAD PANEL**

SIZE B	CAGE CODE 26073	DWG. NO. 127749-100	REV A
WEIGHT:			SHEET 3 OF 3

8 7 6 5 4 3 2 1