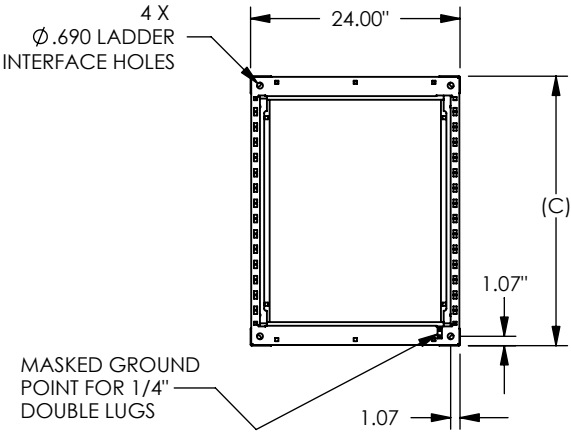
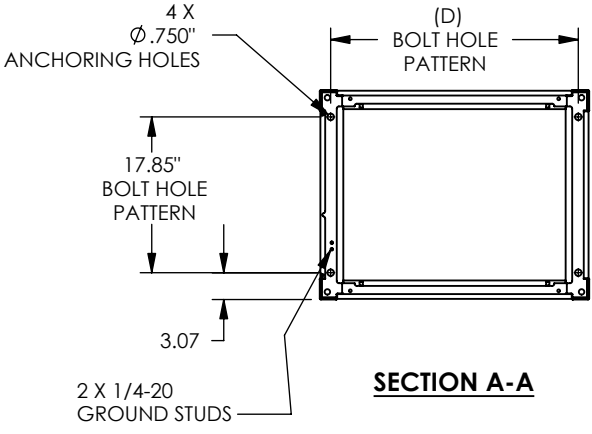


DWG. NO.
S-B-F24xxxx-X



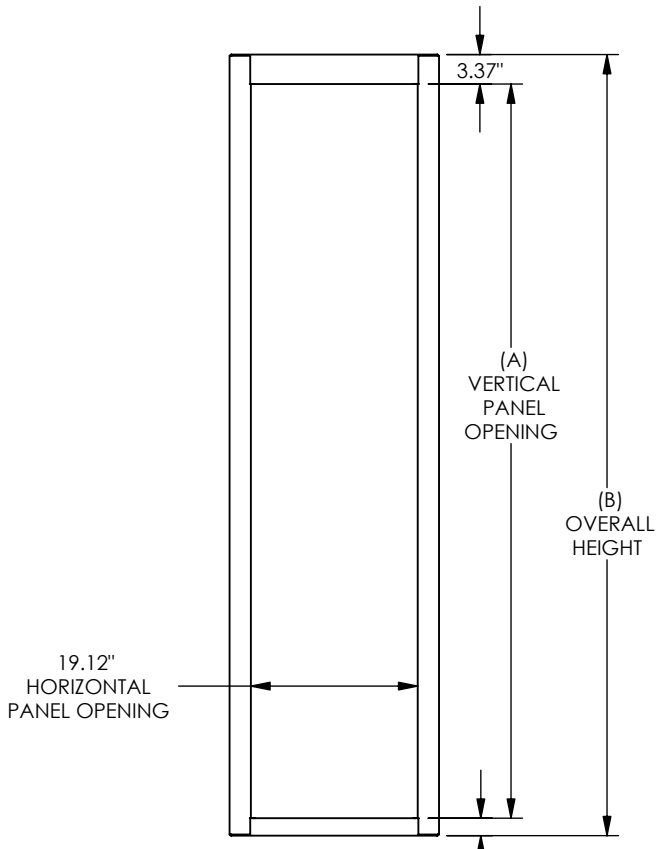
TOP VIEW



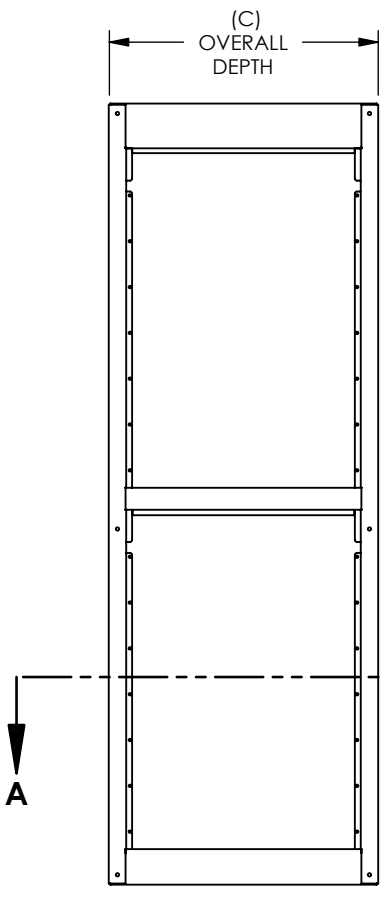
SECTION A-A

RACK UNITS	VERTICAL PANEL OPENING (A)	OVERALL HEIGHT (B)
40U	70.13"	75.50"
45U	78.88"	84.25"
48U	84.13"	89.50"
50U	87.63"	93.00"

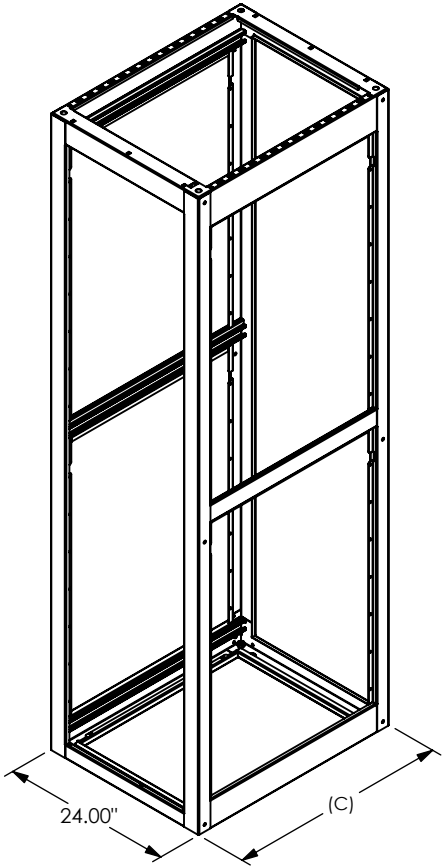
OVERALL DEPTH (C)	BOLT HOLE PATTERN (D)
30.88"	28.37"
36.13"	33.63"
39.63"	37.12"



FRONT VIEW



SIDE VIEW



PROPRIETARY AND CONFIDENTIAL
 This drawing embodies a confidential proprietary design owned by Electrorack Products Company and all design, manufacturing, reproduction, use and sales rights regarding this drawing are reserved to Electrorack Products Company. The recipient of this drawing assumes custody thereof and agrees that the information contained herein shall not be used, duplicated or disclosed to reproduce articles or subject matter therein without written permission of Electrorack Products Company.

TITLE:
BARRACUDA FRAME - 24" WIDE

FINISH POWDER COAT	REV DATE 12/19/06
MATERIAL 14 GA STEEL	SHEET 1 OF 1